

KENT
HEALTH
PLUS

Under-the-sink Water Purifier

KENT
UF Membrane
Water Purifiers

HOUSE of PURITY

— MAKE WATER —
BACTERIA-FREE
ON YOUR SINK TAP



UF Membrane Technology

Instruction Manual



Wash and Rinse Your Mouth
with Bacteria-free Water

Welcome to KENT

Dear Customer,

Congratulations on your purchase and welcome to **KENT**.

At the outset, allow us to thank you for your trust in KENT Appliances. At KENT, we take pride in our reputation for quality products and industry proven performance. We are certain that you will be more than satisfied with KENT Health Plus's performance and that it will serve you and your family's need without any compromise.

This guide will help you in getting the best out of your appliance. Please go through the booklet to familiarise yourself with its operation and maintenance.

With its robust built and quality, you can look forward to years of trouble-free service. It is important that you fill up the enclosed warranty card and mail us the installation report within 15 days of purchase. Should you need further assistance, do not hesitate to contact your nearest KENT dealer or branch.

Happy Living

KENT RO Systems Ltd.

TABLE OF CONTENTS

1.	Why Use KENT Health Plus	1
2.	Features of KENT Health Plus	1
3.	Items in the Box	2
4.	Ideal Place for Installation	2
5.	Tips for Proper Use	2
6.	Know Your Product	3
7.	Installation Instruction	4
8.	Important Safety Instructions	7
9.	Technical Specifications	7

WHY USE KENT HEALTH PLUS

We, at KENT have always believed that a clean and healthy life is a right of every individual. This ethos is what made us embark on the journey to develop innovative solutions for purifying the water we drink, vegetables and fruits that we eat, homes that we live in, and the air we breathe.

With the use of innovative technologies and supported by a competent service network, we have been able to create a brand which has become synonymous for well-being and health.

Continuing with the tradition, we now present the all-new KENT Health Plus, to provide you and your family with safe, clean and germ-free water from the tap. The normal water in homes is supplied from overhead tanks. Over a period of time, viruses or bacteria may develop in this water and when this water is used for brushing or cooking, it can make you and your family fall sick. Thus, installing a KENT Health Plus is necessary.

FEATURES OF KENT HEALTH PLUS

1. Best to fit under the wash basin/sink
2. Get protection from harmful micro organisms like bacteria
3. Compact design easy to install
4. Ultra Filtration with pore size of 0.1 – 0.01 microns
5. Low pressure drop

ITEMS IN THE BOX

- | | | |
|----|---------------------|----------|
| 1. | KENT Health Plus | : 1 No. |
| 2. | Pipe 1 Mt. | : 1 No. |
| 3. | Female Adapter | : 2 Nos. |
| 4. | Union Push In | : 1 No. |
| 5. | Clamp | : 1 No. |
| 6. | Elbow Reducer | : 2 Nos. |
| 7. | Plastic Wall Insert | : 2 Nos. |
| 8. | Screw | : 2 Nos. |
| 9. | User Manual | : 1 No. |

IDEAL PLACE FOR INSTALLATION

KENT Health Plus is ideal for installing under:

1. Bathrooms
2. Kitchen Sinks
3. Wash Basins

TIPS FOR PROPER USE

The filter cartridges have a life span of 2 years, depending on consumed water volume, quality and pressure. It must be replaced accordingly. KENT Health Plus is best suitable for tap/municipal corporation water supply.

KNOW YOUR PRODUCT



Health Plus



Clamp



1 Mt. Plastic Pipe



Elbow Reducer
2 Nos.



Female
Adaptor 2 Nos.

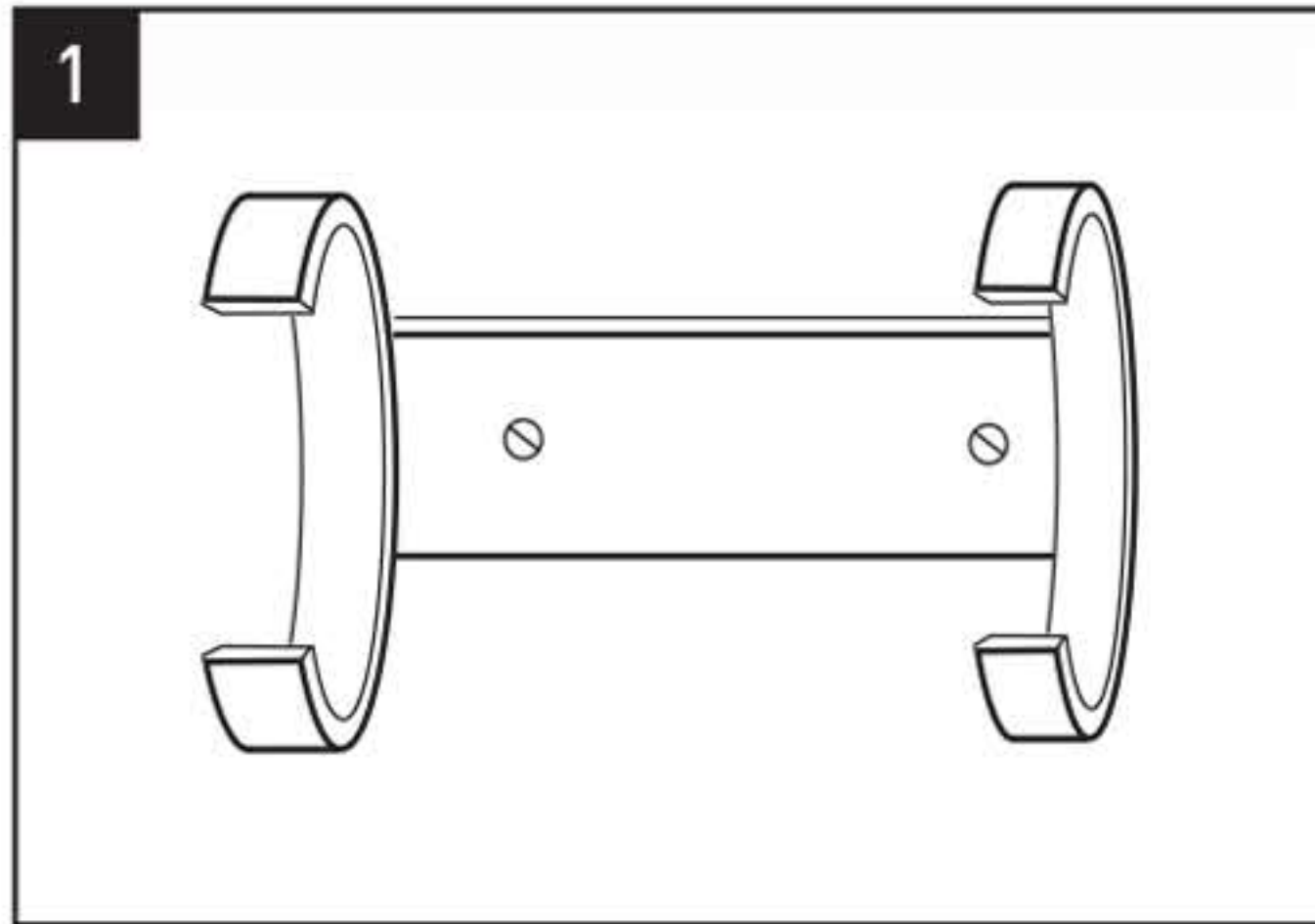


Union
Push In

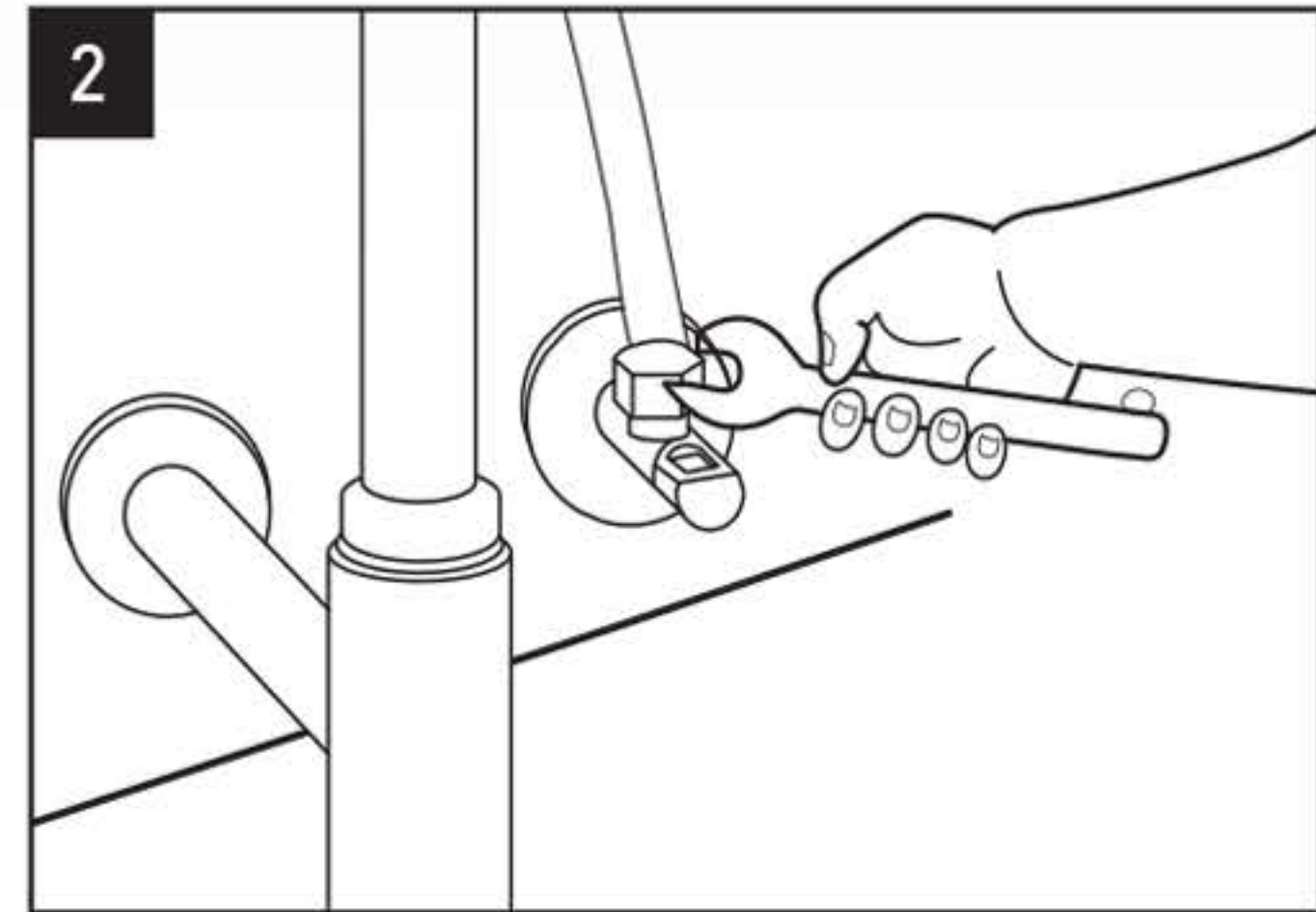
INSTALLATION INSTRUCTION

KENT Health Plus can be connected with any type of tap, installed on wash basin or sink with online water supply.

For Normal / wall-mounting under-the-sink installation

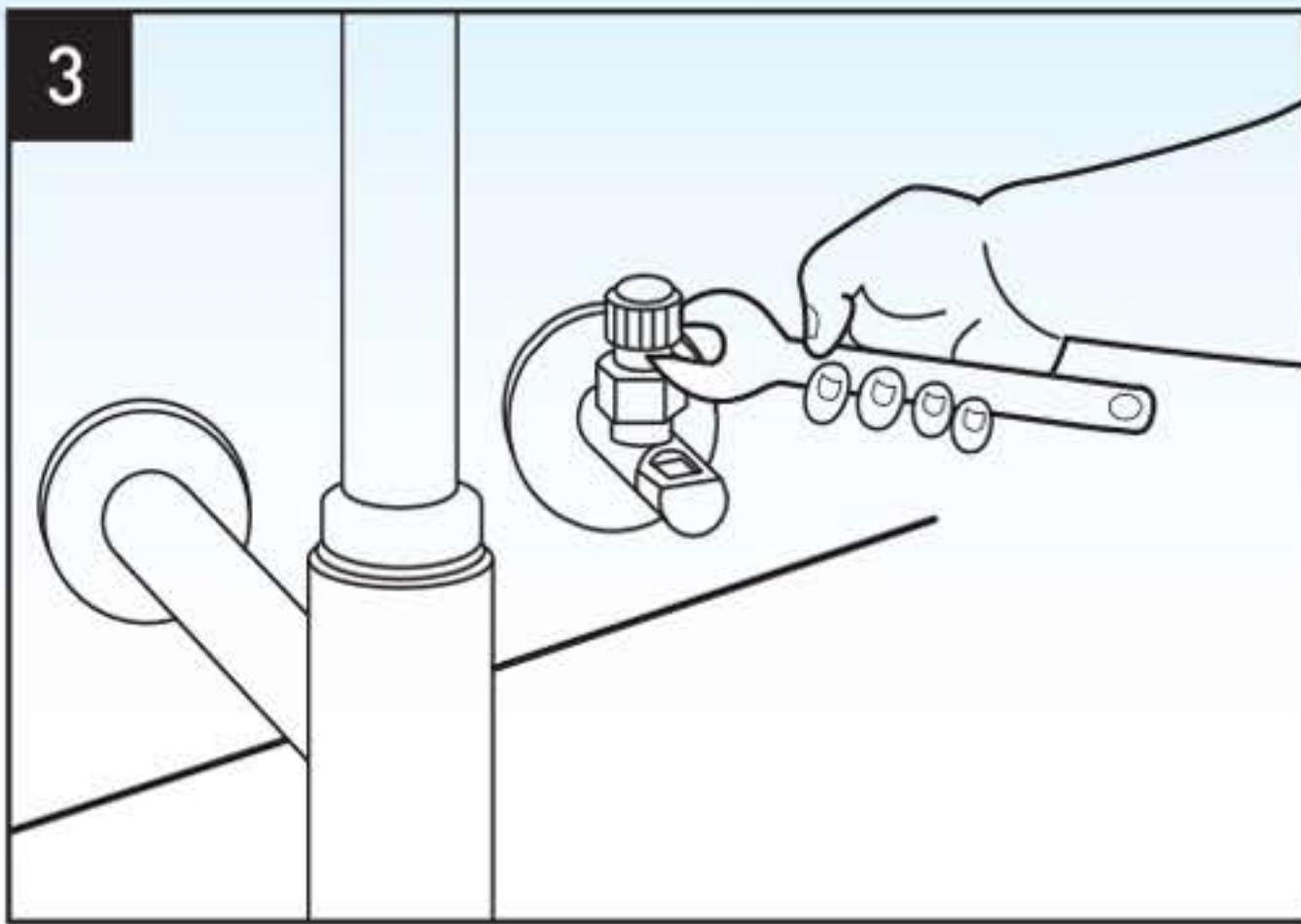


Fix the clamp under-the sink as shown in fig (10)

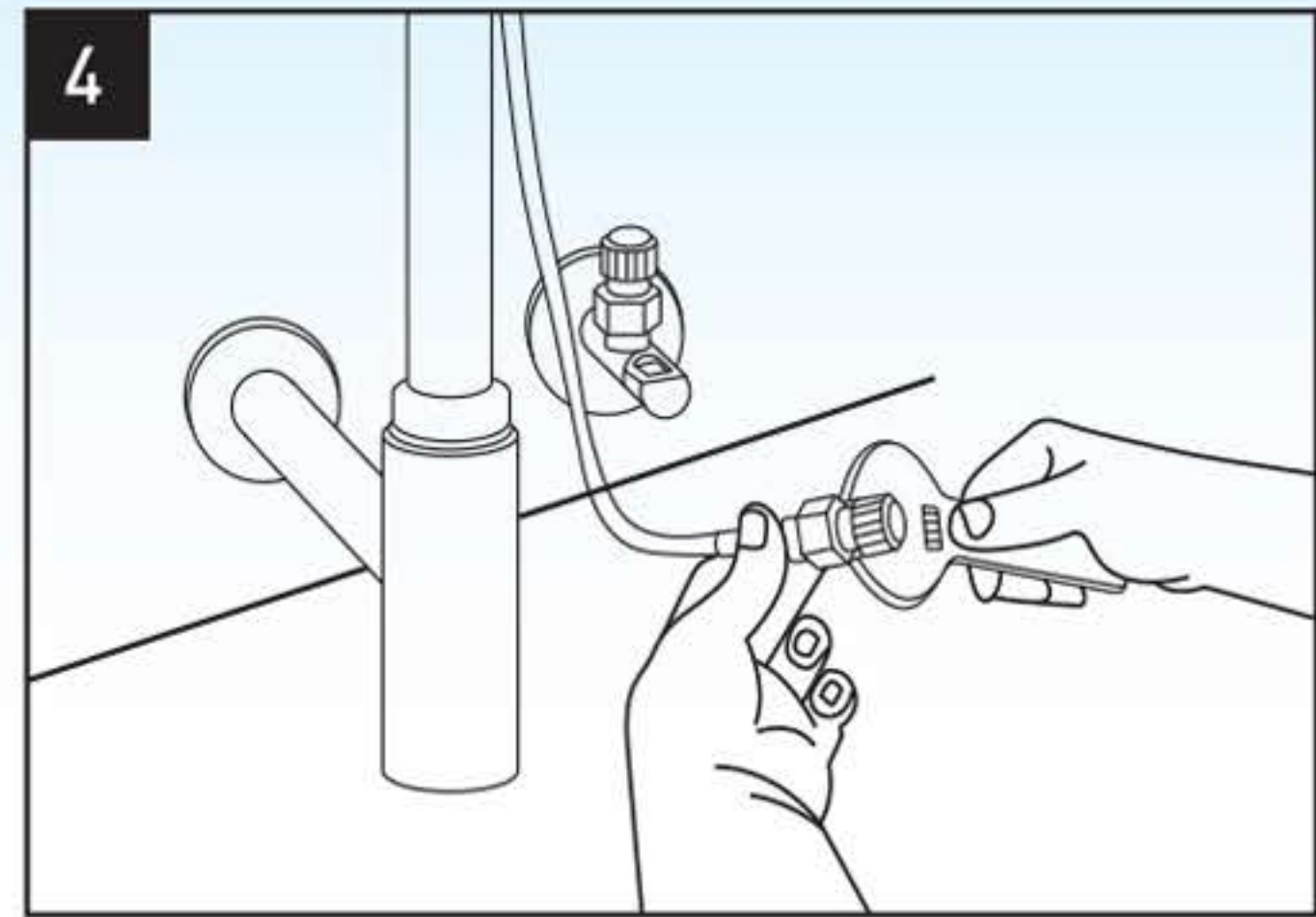


Open the flexible pipe nut from water supply

Note: Can not be installed on tap mounted on wall



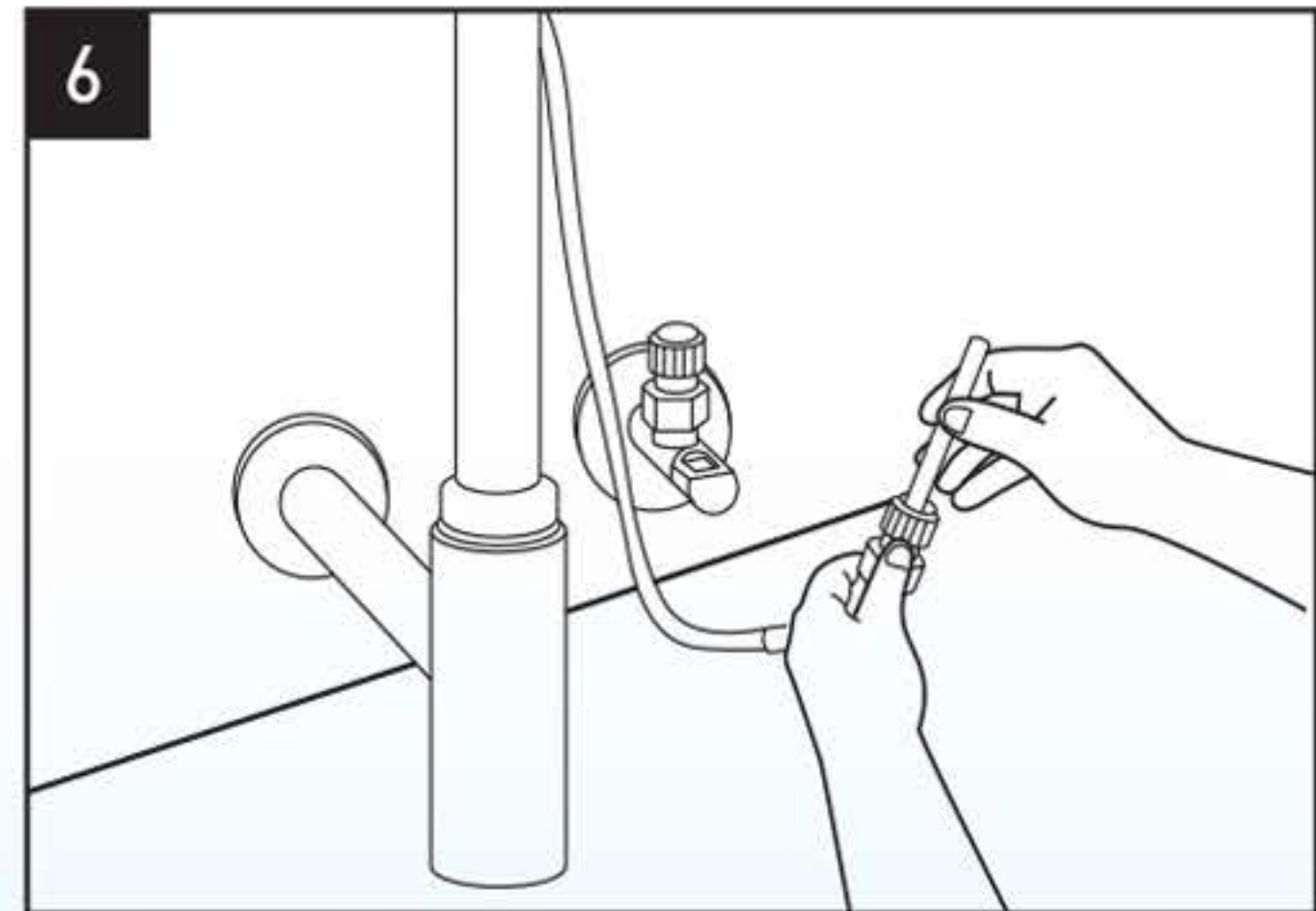
Fix the Female Adapter on wall inlet socket



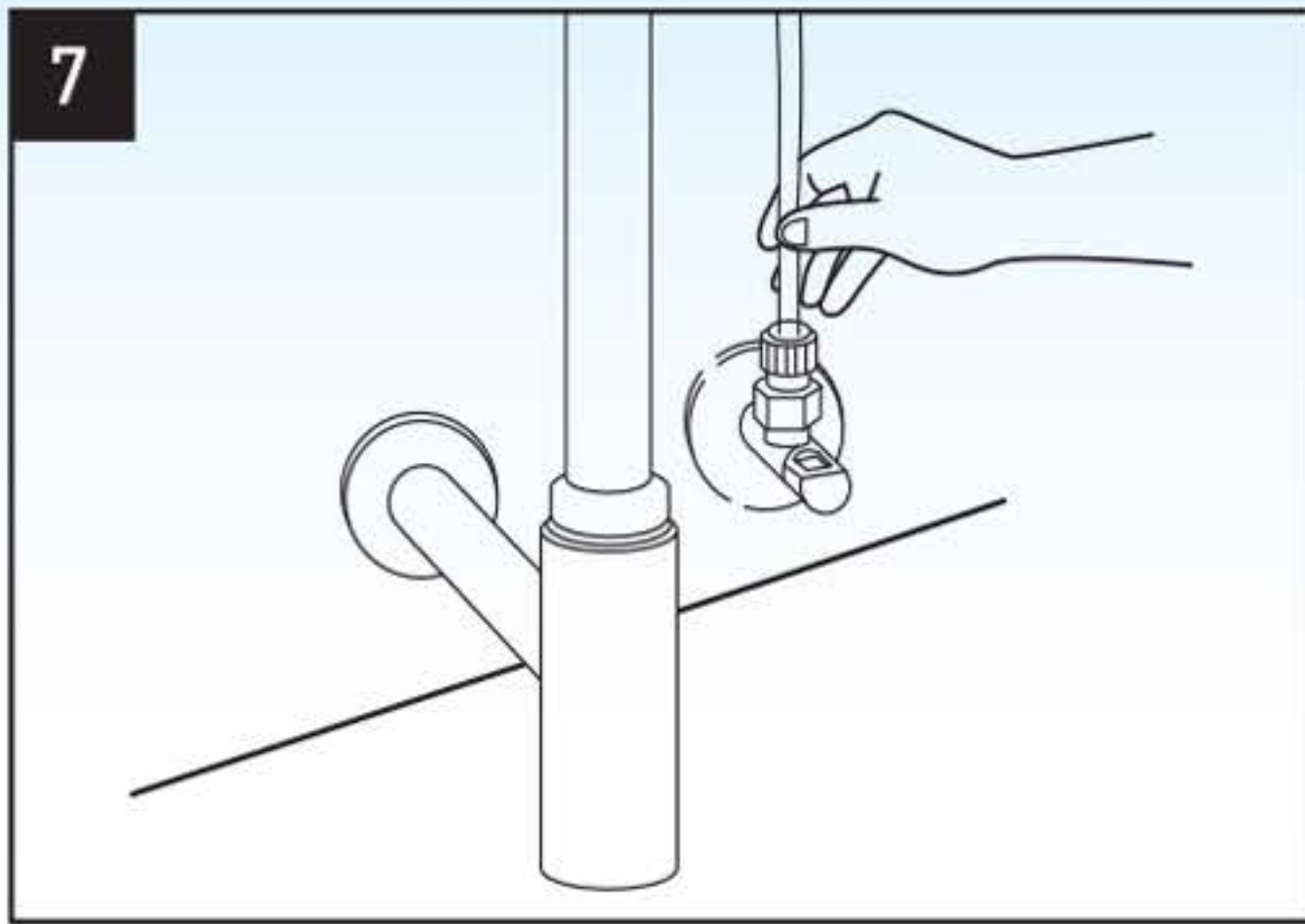
Fix the Union Push In on flexible pipe



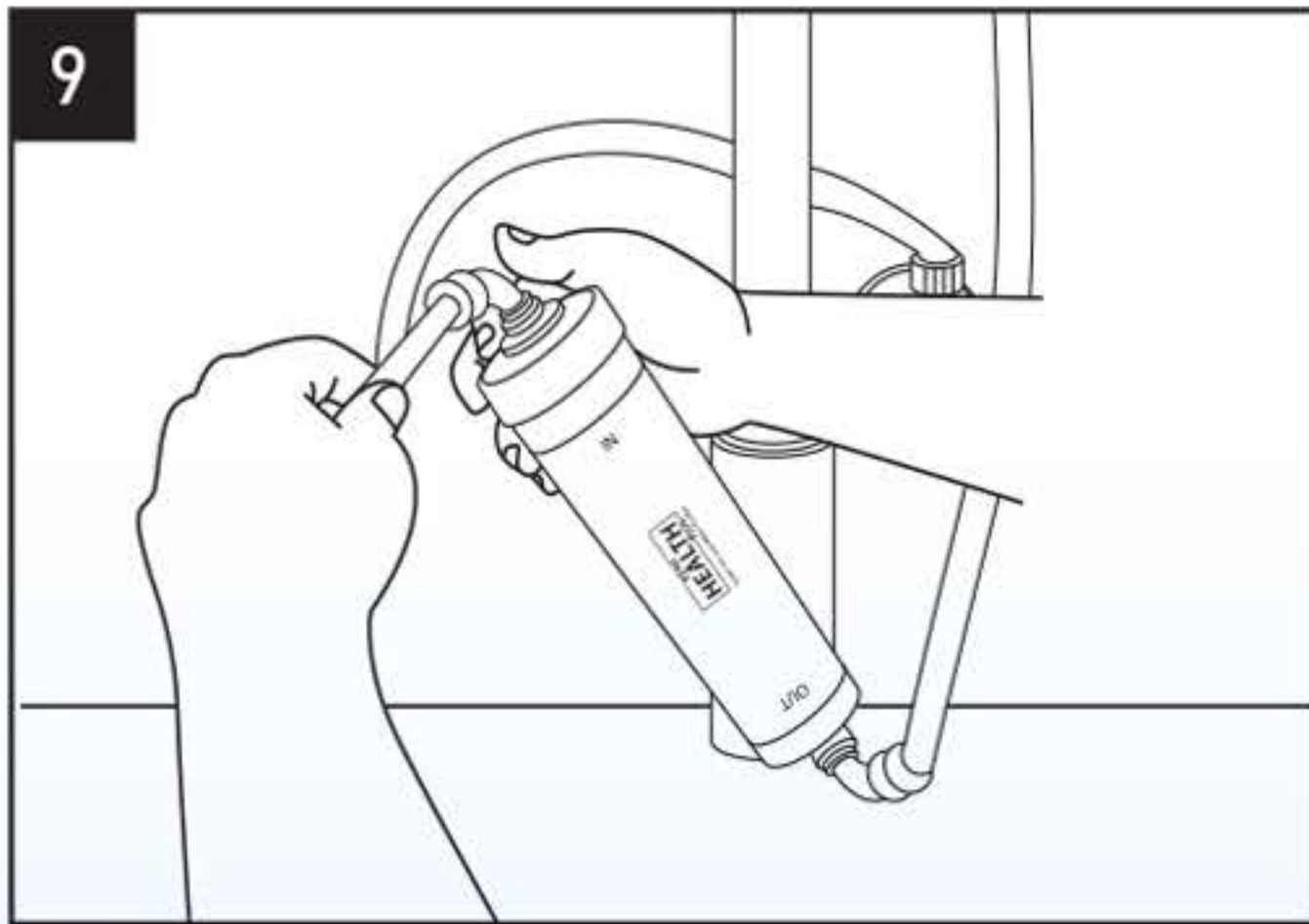
Fix the Elbow Reducer on KENT Health Plus



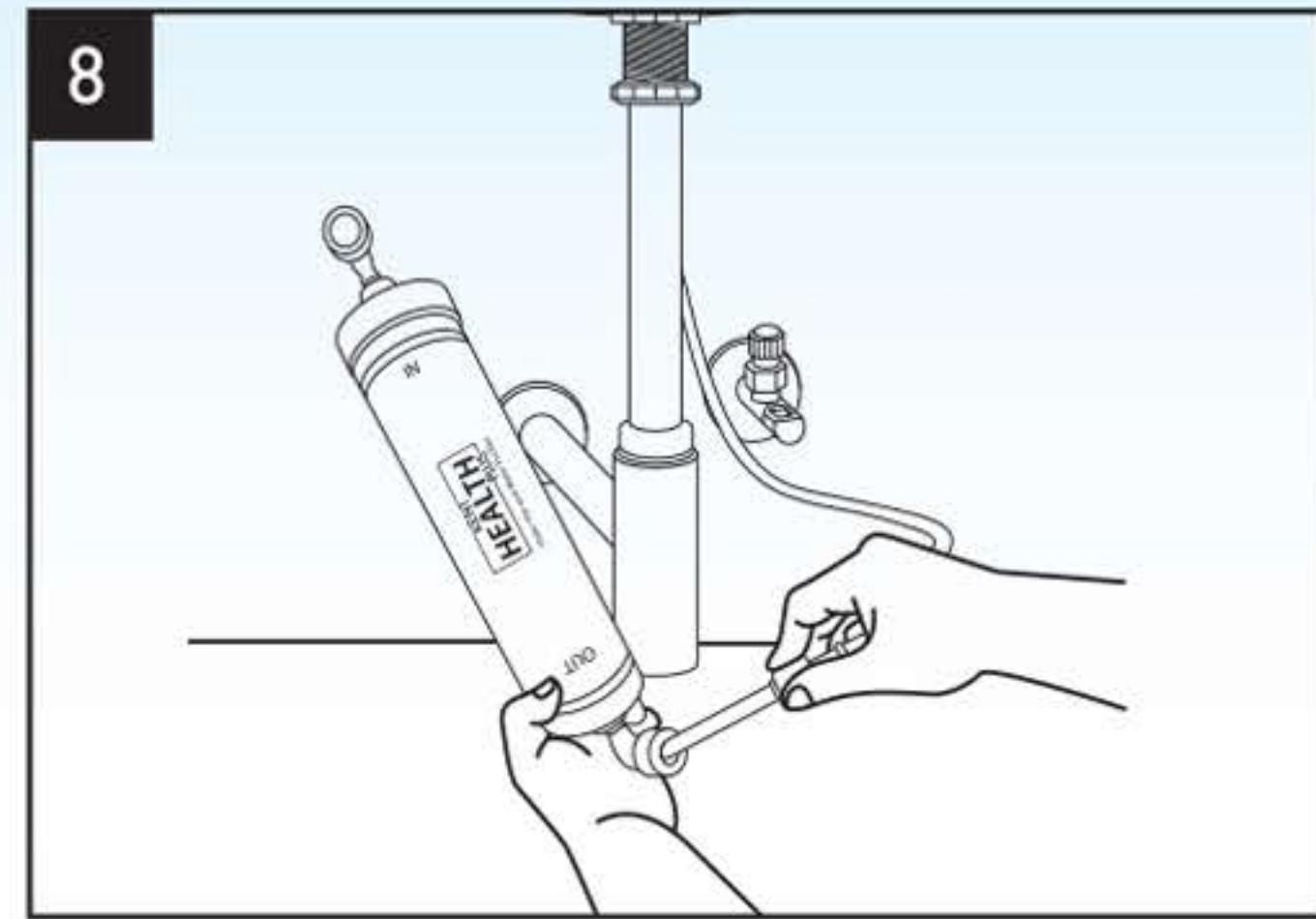
Cut the given plastic pipe as per required length and push one end into Union Push In, fixed already on flexible pipe



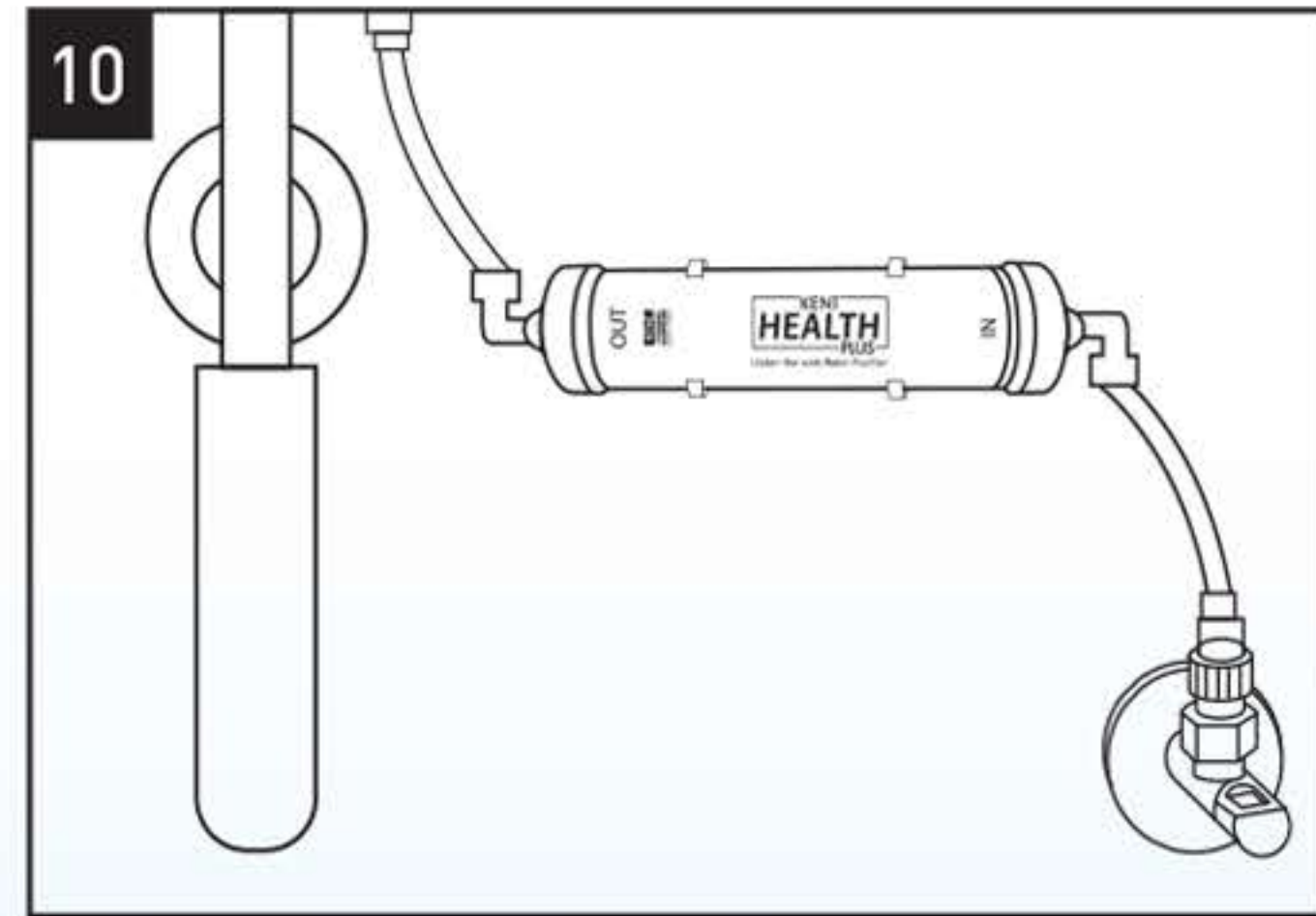
Now, fix required length of plastic pipe into Female Adapter fixed on inlet water supply



Cut the given plastic pipe as per required length and push one end into Elbow Reducer fixed already on KENT Health Plus



Connect plastic pipe through Elbow Reducer with KENT Health Plus (Marked with OUT) to flexible pipe fixed with Union Push In



Fix the KENT Health Plus on the clamp

IMPORTANT SAFETY INSTRUCTIONS & PRECAUTIONS

1. Do not run water of over 45°C through the purifier.
2. The unit is designed to withstand water pressure of up to 500 kPa.

TECHNICAL SPECIFICATIONS

Product	KENT HEALTH PLUS
Product Code	11089
Mounting	Wall-mounting Under-the-sink
Net Weight	370 g
Casing Material	PP
Product Dimension (mm)	270 (L) x 70 (W) x 70 (H)
Max. Water Flow Rate	1.0 L/min. (Under standard testing conditions)
Operating Water Pressure (Min/Max)	0.1 Mpa to 0.5 Mpa
Operating Temperature (Min/Max)	5°C to 45°C
Filter Material	Hollow Fiber UF Membrane (polysulfone)



HOUSE of PURITY



Innovations for
Better Living

Marketed by:

KENT RO SYSTEMS LTD.

E-6, 7 & 8, Sector-59, Noida, U.P.-201 309, India.

E-mail: sales@kent.co.in | Website: www.kent.co.in

Manufactured by:

KENT RO SYSTEMS LTD.

1) Khasra No. 93, Village-Bantakhedi, Tehsil-Roorkee,
District-Haridwar, Uttarakhand-247 668, India.

2) A-6, Sector 87, Noida-201 305, U.P., India.

For customer complaints, contact our Customer Care Officer at:

E-6, 7 & 8, Sector-59, Noida, U.P.-201 309, India. Call: 92-789-12345

E-mail: service@kent.co.in | visit us at www.kent.co.in